

# PARTS LIST

\*\*\*

## EVINRUDE SPORTWIN 10

MODELS 10012 AND 10013

### INSTRUCTIONS ON HOW TO ORDER

For their convenience, as well as ours, we ask our customers to carefully follow our instructions in ordering parts.

We also request that owners order their parts from our dealer or nearest service station or distributor.

ORDER BY PART NUMBER GIVING NAME OF PART ALSO.

ALWAYS GIVE THE SERIAL NUMBER OF THE MOTOR FOR WHICH PART OR PARTS ARE REQUIRED.

This is very important, and is necessary to intelligently fill your order. If you cannot give the number of the motor, state when and from whom the motor was purchased.

TELEGRAMS AND HOW TO USE "EVINRUDE CODE."

Telegram rates are based on fifteen words or less, for immediate delivery. Day letter or night letter rates are considerably cheaper. Detailed information may be found on rear of any telegram blank.

Use the following code only on messages of more than fifteen words. Each five code letters are charged

for as a word. English words and code words may be used in the same message, but code letters cannot be combined with English words.

A - 1	G - 7	L - Air Parcel Post
B - 2	H - 8	M - Freight - Truck
C - 3	I - 9	V - Air Express
D - 4	J - 0	X - Express
E - 5	K - Each	Y - Parcel Post
F - 6	P - Number	Z - Freight - Railway

Following is an example of a telegram not coded and the same reduced to code:

(NOT CODED - 22 WORDS.)

Parcel Post Two Number One Three Naught Naught  
Four Four Propeller Nut Twelve Number One Three  
Naught Naught Five Three Shear Pins.

(CODED - 8 WORDS.)

YBPAC JJDD Propeller Nut ABPAC JJEC Shear  
Pins.

Do not use this code in cable messages.

### ROUTING • TERMS • RETURNS

#### SHIPPING INSTRUCTIONS.

Unless specific instructions accompany the order, we will use our own judgement on how to ship.

TERMS: CASH WITH ORDER OR C.O.D.

In ordering parts, to avoid C.O.D. shipments and extra charges, all orders should be accompanied by cash. Save time and money by remitting sufficient cash to cover cost of parts and Transportation Charges. Stamps are accepted in payment of all orders not over \$1.00. The right to hold all

orders unaccompanied by cash is reserved by Evinrude Motors, Milwaukee.

A minimum charge of \$0.50 net will be made on all orders amounting to less than this amount. We reserve the right to furnish additional parts to make up the difference.

#### INSTRUCTIONS ON RETURNING PARTS.

Parts can only be returned in accordance with terms outlined under the Service Policy laid down in the instruction manual

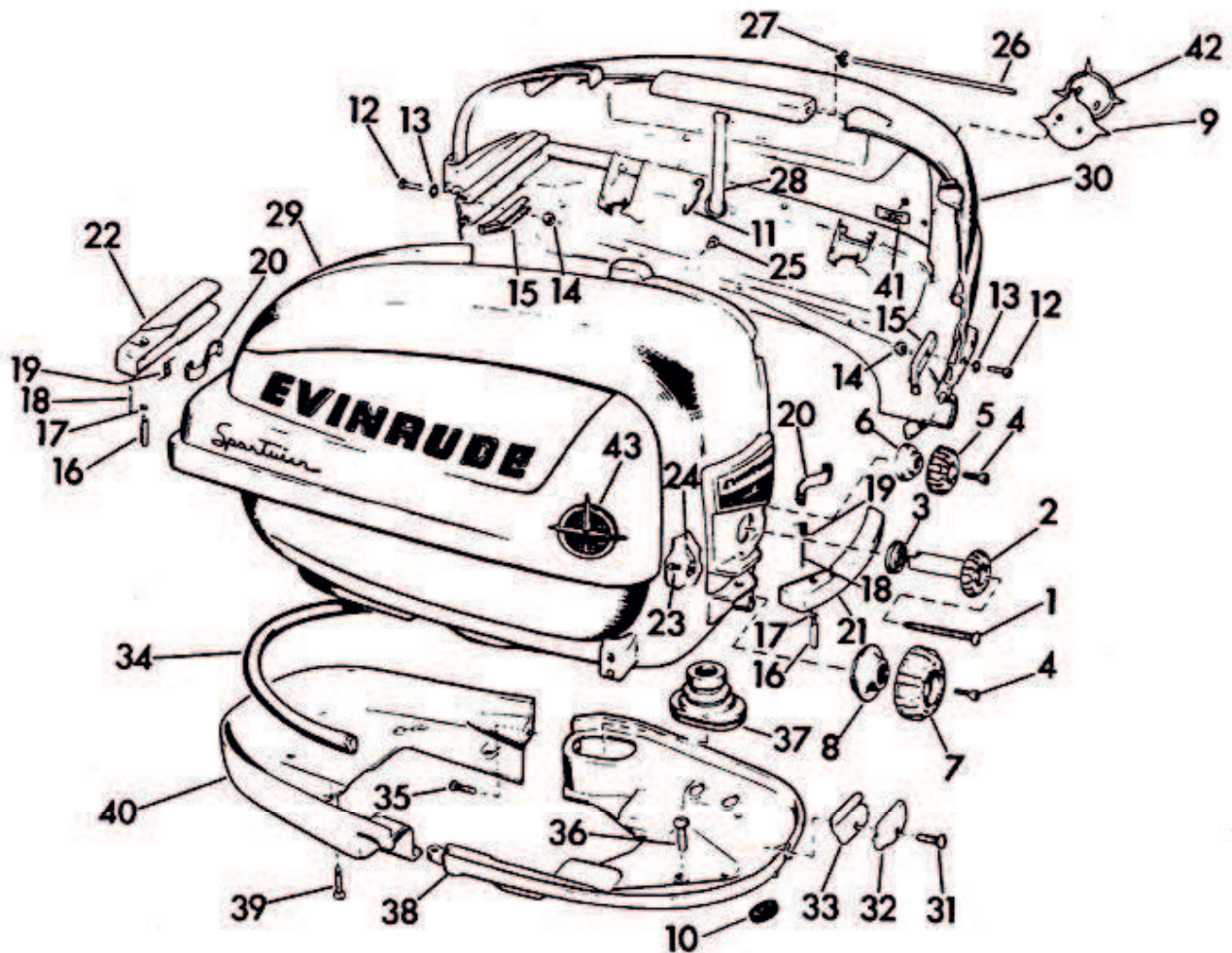
\*\*\*

ALL PRICES SUBJECT TO CHANGE WITHOUT NOTICE

**EVINRUDE MOTORS, Milwaukee, Wis., U.S.A.**

SECOND EDITION

CABLE ADDRESS "EVINRUDE"

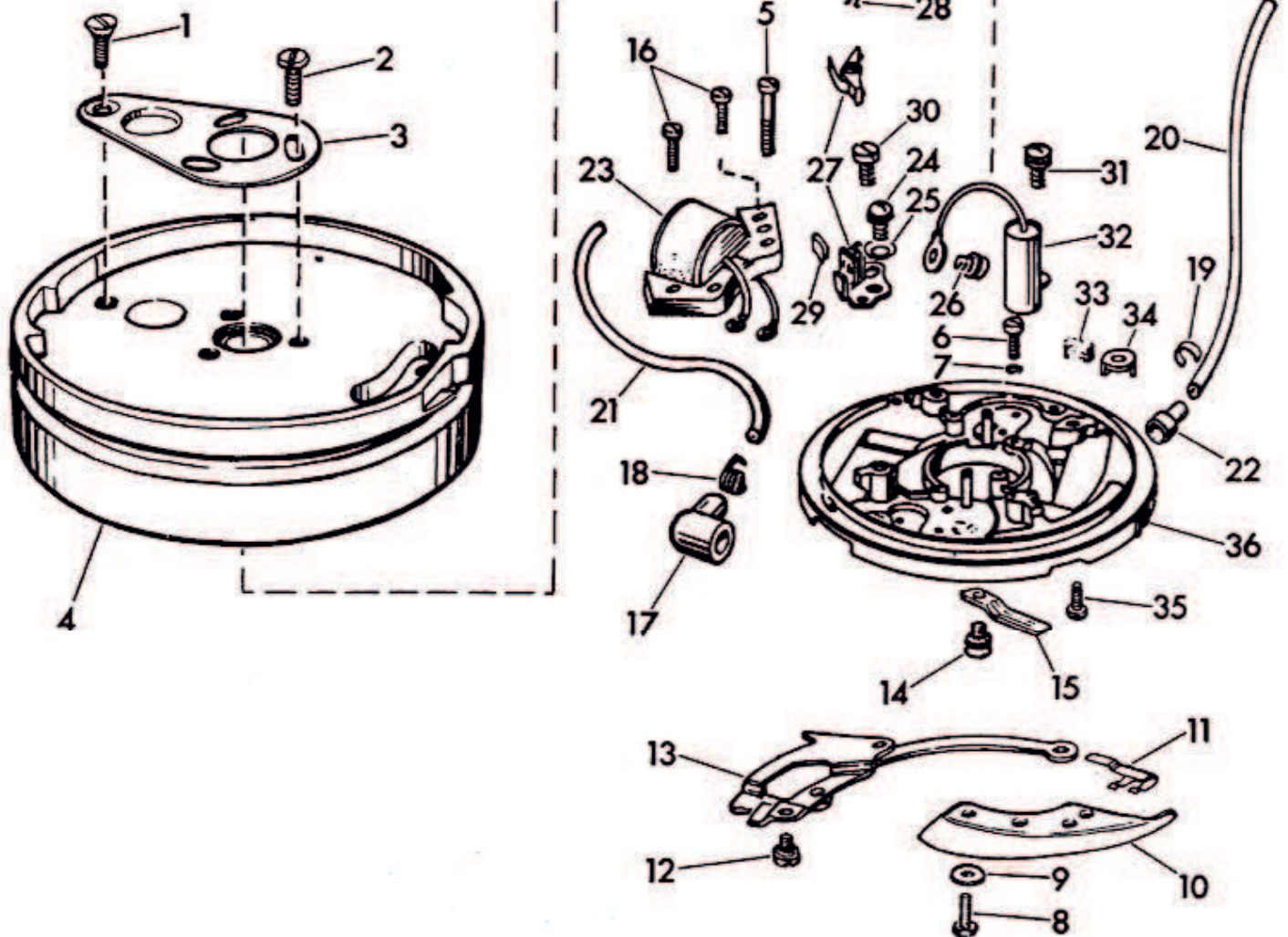


REF. NO.	PART NO.	NAME OF PART	QTY.	REF. NO.	PART NO.	NAME OF PART	QTY.
1	302761	Choke knob screw . . . . .	1	*	203464	Latch retainer spring, rear . . .	1
2	203603	Choke control knob . . . . .	1	25	203290	Motor cover bumper . . . . .	5
3	203308	Motor cover to choke knob grommet . . . . .	1	26	277615	Motor cover hinge pin assembly. .	1
4	551517	High and low speed control knob screw . . . . .	2	27	203949	Motor cover hinge pin ret. ring. .	1
5	203601	Low speed control knob . . . . .	1	28	303923	Motor cover strap . . . . .	1
6	203617	Low speed cover grommet . . . . .	1	29	277489	Motor cover assembly - Starboard	1
7	203600	High speed control knob . . . . .	1	30	277488	Motor cover assembly - Port. . .	1
8	203616	High speed cover grommet . . . . .	1	31	304022	Seal to lower motor cover clamp screw . . . . .	1
9	203971	Motor cover medallion gasket . . .	2	32	304021	Outer seal to lower motor cover clamp . . . . .	1
10	304017	Motor cover grommet (where used).	1	33	304020	Inner seal to lower motor cover clamp . . . . .	1
11	203843	Motor cover strap clip . . . . .	1	34	304014	Lower motor cover seal . . . . .	1
12	39X176	Latch hook to motor cover screw. .	2	35	304013	Lower motor cover to exhaust tube screw . . . . .	1
13	303480	Latch hook screw lockwasher. . .	2	36	304015	Lower front motor cover to exhaust tube screw . . . . .	1
14	301472	Latch hook screw nut . . . . .	2	37	304019	Control shaft to lower motor cover grommet . . . . .	1
15	203420	Motor cover latch hook . . . . .	2	38	376886	Lower motor cover assembly, front	1
16	203468	Front and rear cover latch hinge pin . . . . .	2	39	304012	Lower rear motor cover to exhaust tube screw . . . . .	4
17	203470	Hinge pin retaining ring . . . . .	2	40	304005	Lower motor cover, rear . . . . .	1
18	203423	Pivot pin . . . . .	2	41	203786	Medallion to motor cover nut . . .	4
19	203422	Cover latch bale spring . . . . .	2	42	203784	Motor cover medallion - Port . . .	1
20	203421	Cover latch bale . . . . .	2	43	203785	Motor cover medallion - Starboard . . . . .	1
21	277232	Cover latch and bale assembly, front . . . . .	1	*		Set of decals . . . . .	1
22	277233	Cover latch and bale assembly, rear . . . . .	1				
23	21X283	Latch retainer spring screw . . . .	2				
24	203690	Latch retainer spring, front . . . .	1				

\*Not Shown

ORDER YOUR PARTS FROM YOUR DISTRICT SERVICE STATION

# SPORTWIN MAGNETO

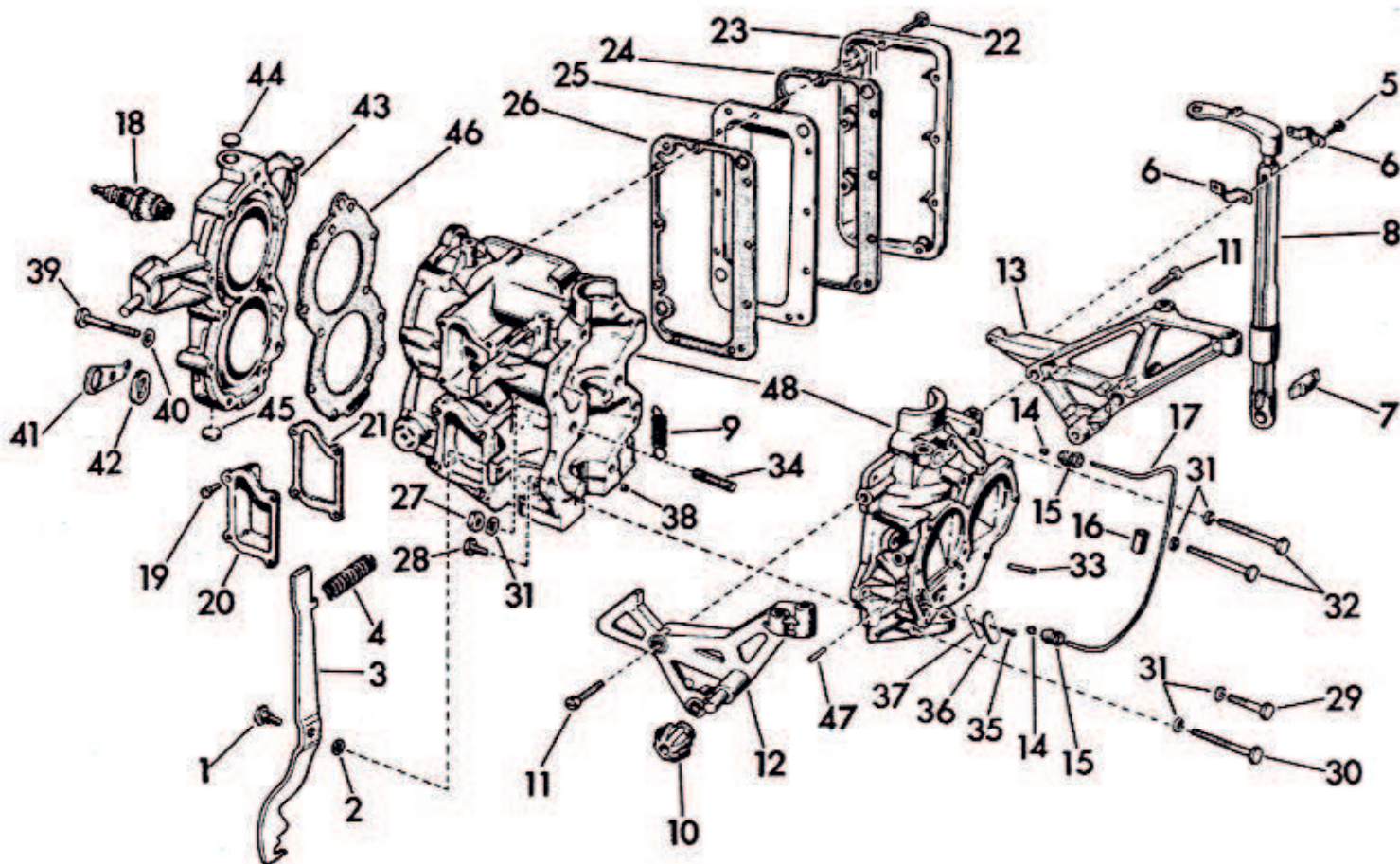


REF. NO.	PART NO.	NAME OF PART	QTY.	REF. NO.	PART NO.	NAME OF PART	QTY.
*	580207	Armature plate assembly . . . . .	1	19	120783	Marker . . . . .	1
1	510293	Inspection hole cover screw . . . . .	1	*	580186	High tension lead assembly - upper	1
2	203751	Inspection hole cover screw . . . . .	3	20	510239	High tension lead only, upper . . . . .	1
3	510292	Inspection hole cover . . . . .	1	*	580146	High tension lead assembly - lower	1
4	580215	Flywheel and cover assembly . . . . .	1	21	510210	High tension lead only, lower . . . . .	1
5	510191	Armature plate mounting screw . . . . .	2	22	510289	Coil to H. T. lead grommet . . . . .	2
6	510192	Armature plate mounting screw . . . . .	2	23	580118	Coil and lamination assembly . . . . .	2
7	3X28	Armature plate mounting screw lockwasher . . . . .	2	24	510278	Breaker mounting screw . . . . .	2
8	304441	Throttle cam screw . . . . .	2	25	510208	Bow washer . . . . .	2
9	300154	Throttle cam screw washer . . . . .	2	26	510194	Breaker terminal screw . . . . .	2
10	203277	Throttle control cam . . . . .	1	27	580148	Breaker assembly . . . . .	2
11	303146	Armature plate link spring clip . . . . .	1	28	71A1052	Spring clip . . . . .	2
12	510193	Shifter lock stop screw . . . . .	2	29	510204	Breaker spring clip . . . . .	2
13	376313	Link and stop assembly . . . . .	1	30	510185	Breaker eccentric screw . . . . .	2
14	510193	High tension lead clip mounting screw . . . . .	1	31	510193	Condenser mounting screw . . . . .	2
15	510190	High tension lead clamp . . . . .	1	32	510173	Condenser . . . . .	2
16	510195	Lamination mounting screw . . . . .	4	33	510189	Oiler wick . . . . .	1
17	510232	Spark plug rubber cover . . . . .	2	34	510188	Oiler clip . . . . .	1
18	510231	Spark plug lead spring . . . . .	2	35	510278	Hole plug screw . . . . .	2
				36	580210	Armature plate and post . . . . .	1
				*	43A128	Feeler gauge . . . . .	1

\*Not Shown

ORDER YOUR PARTS FROM YOUR DISTRICT SERVICE STATION

# SPORTWIN CRANKCASE AND CYLINDER



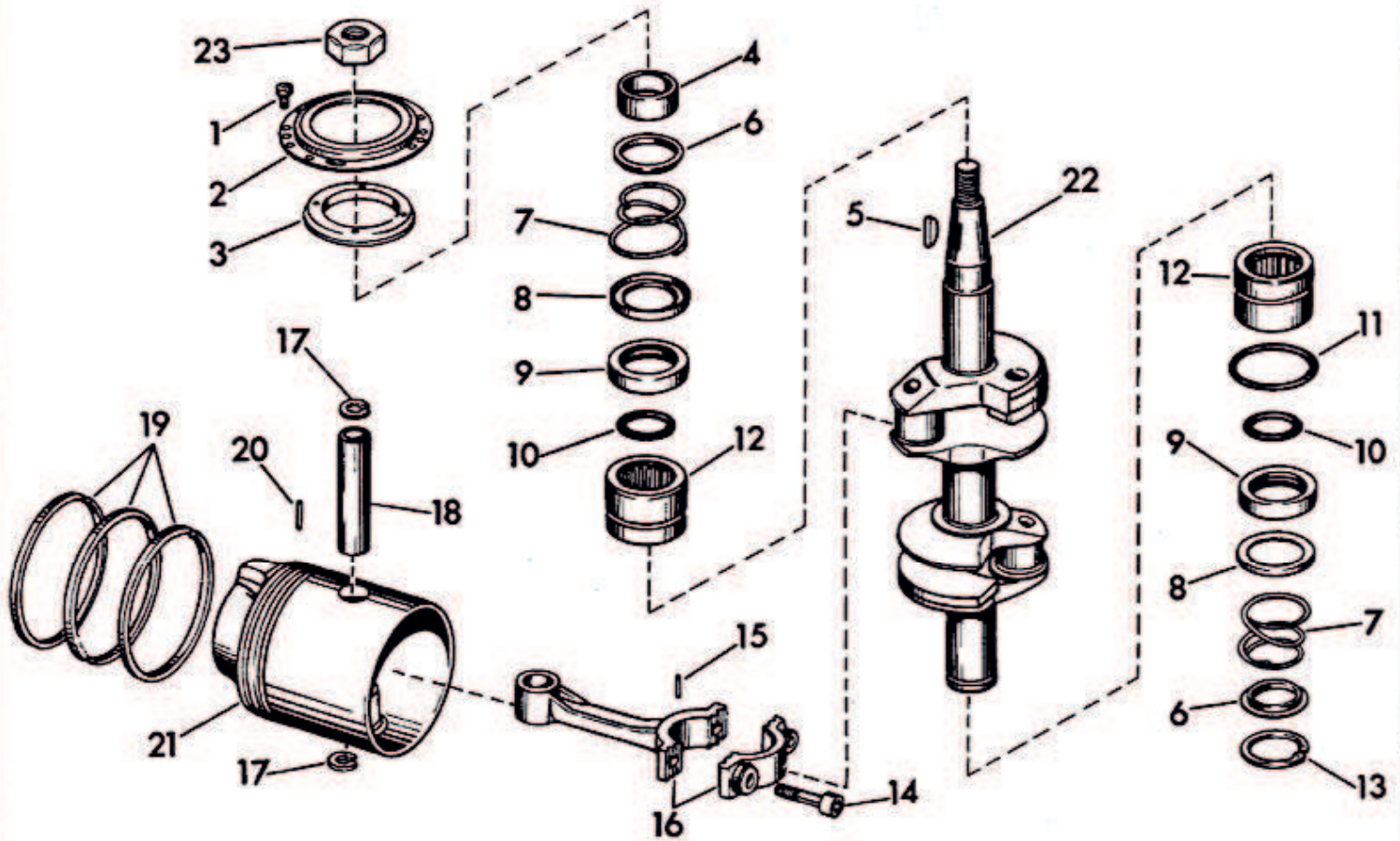
REF. NO.	PART NO.	NAME OF PART	QTY.	REF. NO.	PART NO.	NAME OF PART	QTY.
1	302592	Shifter lock to cylinder screw . .	1	25	301849	Exhaust cover, inner . . . . .	1
2	304051	Shifter lockwasher . . . . .	1	26	301854	Inner exhaust cover to cylinder gasket . . . . .	1
3	303921	Shifter lock . . . . .	1	27	7X46	Crankcase to cylinder stud nut . .	2
4	302587	Shifter lock spring . . . . .	1	28	51X135	Cylinder to crankcase screw . . .	4
5	303737	Control lever bearing clamp screw . . . . .	2	29	21X487	Crankcase to cylinder screw, short . . . . .	1
6	303109	Control lever bearing clamp . . .	2	30	25X242	Crankcase to cylinder screw long . . . . .	1
7	304155	Armature plate control lever pin .	1	31	37X154	Stud and screw washer . . . . .	6
8	304159	Armature plate control lever . . .	1	32	300355	Crankcase to cylinder screw . . .	2
9	302827	High tension lead spring. . . . .	1	33	300402	Taper pin . . . . .	2
10	203885	Cover mount . . . . .	4	34	21A170	Crankcase to cylinder stud . . . .	2
11	41X178	Starter mounting bracket screw .	4	35	19X191	Oil drain leaf valve screw . . . .	1
12	203769	Starter mounting bracket - Starboard . . . . .	1	36	203248	Leaf valve oil drain plate . . . . .	1
13	203763	Starter mounting bracket - Port . .	1	37	203235	Crankcase oil drain leaf valve . .	1
14	11X61	Oil line gland . . . . .	2	38	302037	Upper and lower bearing dowel . .	2
15	41A105	Oil line packing nut . . . . .	2	39	302009	Cylinder head screw . . . . .	10
16	302811	Oil line tube spacer . . . . .	1	40	300399	Cylinder head screw washer . . . .	9
17	303502	Oil line . . . . .	1	41	300455	Ignition lead anchor . . . . .	1
†18	200322	Spark plug, Champion J6-J . . . . .	2	42	300454	Ignition lead grommet . . . . .	1
†18	376290	Spark plug, Auto-Lite A3X . . . . .	2	43	277451	Cylinder head and core plug assembly . . . . .	1
19	43X259	By-pass cover screw . . . . .	8	44	27X309	Cylinder head core plug, top . . .	1
20	301848	By-pass cover . . . . .	2	45	19X51	Cylinder head core plug, bottom .	1
21	301847	By-pass cover to cylinder gasket .	2	46	301862	Cylinder head gasket . . . . .	1
22	132346	Exhaust cover screw . . . . .	9	47	39X115	Crankcase oil hole plug . . . . .	1
23	303995	Exhaust cover, outer . . . . .	1	48	376489	Cylinder and crankcase . . . . .	1
24	301854	Inner to outer exhaust cover gasket . . . . .	1	*	277597	Set of gaskets . . . . .	1

† We recommend either Champion or Auto-Lite spark plugs.

\*Not Shown

ORDER YOUR PARTS FROM YOUR DISTRICT SERVICE STATION

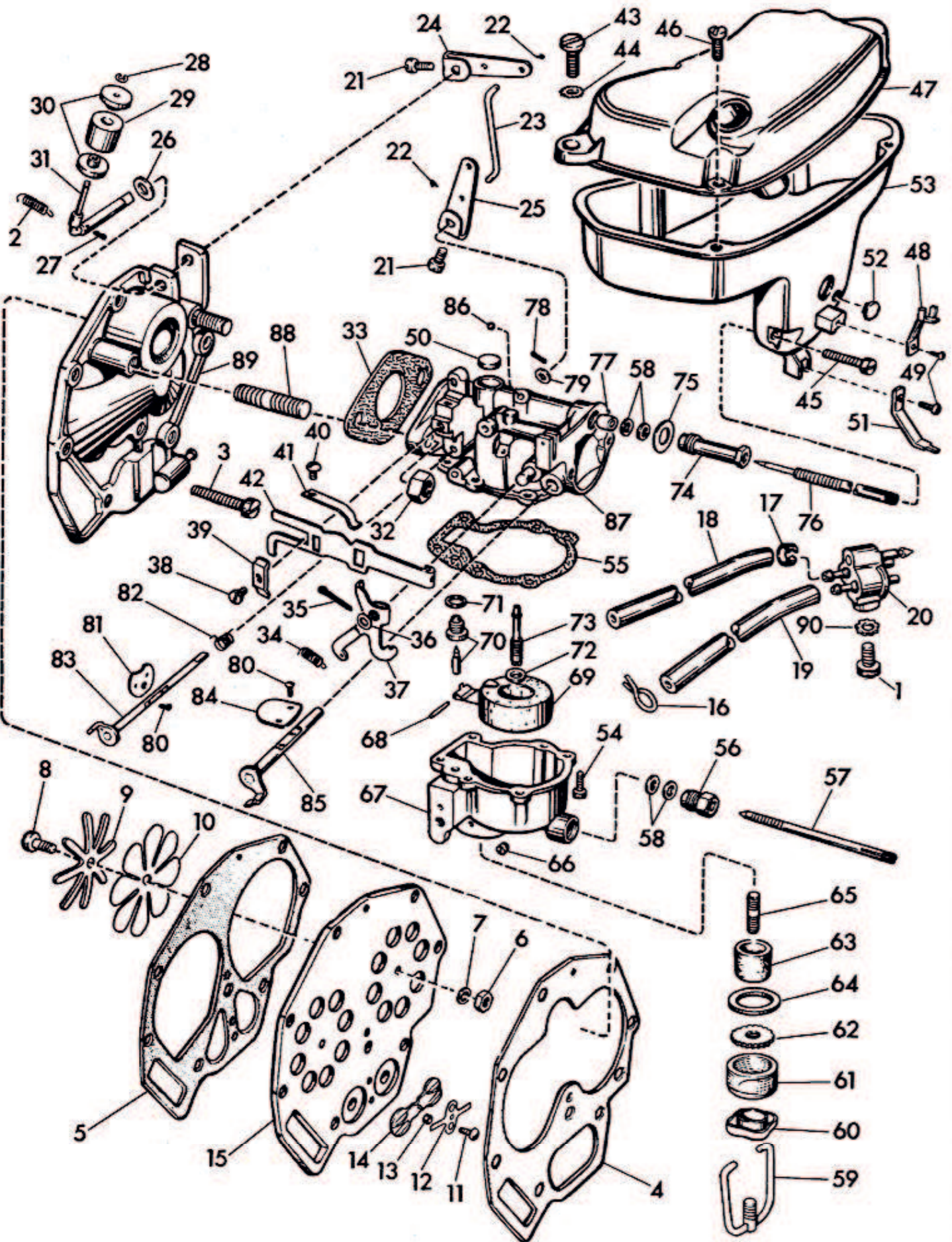
# SPORTWIN CRANKSHAFT AND PISTON



REF. NO.	PART NO.	NAME OF PART	QTY.	REF. NO.	PART NO.	NAME OF PART	QTY.
1	304442	Armature plate support screw . . .	4	15	27A148	Connecting rod needle . . . . .	58
2	303278	Armature plate support . . . . .	1	16	376223	Connecting rod assembly . . . . .	2
3	303277	Armature plate retaining ring. . .	1	17	303712	Lock ring . . . . .	4
4	510168	Magneto cam . . . . .	1	18	303711	Piston pin . . . . .	2
5	120395	Crankshaft key. . . . .	1	19	301787	Piston ring. . . . .	6
6	301857	Outer spring seal retaining washer	2	19	302399	Piston ring, .020 O.S. . . . .	6
7	301861	Seal spring. . . . .	2	19	304703	Piston ring, .040 O.S. . . . .	6
8	301860	Seal spring retaining washer . . .	2	20	300288	Piston dowel pin. . . . .	6
9	302036	Bearing seal (carbon) . . . . .	2	21	376202	Piston and dowel pin . . . . .	2
10	301967	Carbon seal "O" ring . . . . .	2	21	376274	Piston and dowel pin, .020 O.S. .	2
11	302035	Lower bearing seal "O" ring . . .	1	21	376830	Piston and dowel pin - less rings	
12	302499	Roller bearing assembly, upper				.040 O.S. . . . .	2
		and lower . . . . .	2	22	376107	Crankshaft. . . . .	1
13	301859	Seal spring retaining ring. . . . .	1	23	301988	Flywheel nut. . . . .	1
14	202967	Connecting rod screw . . . . .	4				

ORDER YOUR PARTS FROM YOUR DISTRICT SERVICE STATION

# SPORTWIN CARBURETOR



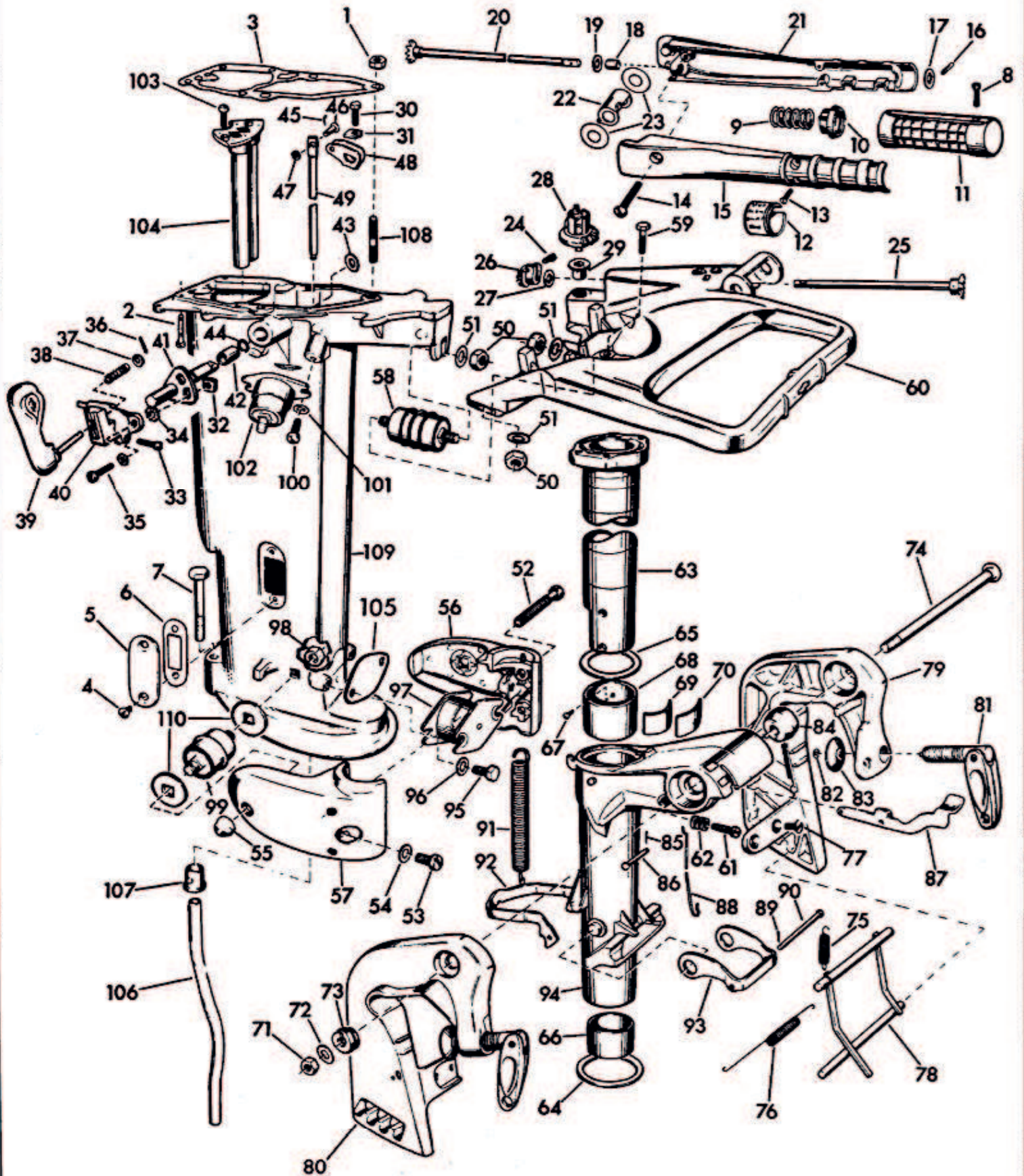
ORDER YOUR PARTS FROM YOUR DISTRICT SERVICE STATION

## SPORTWIN CARBURETOR

REF. NO.	PART NO.	NAME OF PART	QTY.	REF. NO.	PART NO.	NAME OF PART	QTY.
*	376585	Carburetor assembly . . . . .	1	47	277437	Air silencer, upper half . . . . .	1
1	21X359	Fuel connector to bracket screw . . . . .	1	48	203474	Low speed needle stop . . . . .	1
2	203276	Cam follower spring . . . . .	1	49	303940	Needle stop screw . . . . .	2
3	43X110	Manifold to crankcase screw . . . . .	8	50	202310	Expansion plug . . . . .	1
*	376260	Leaf plate assembly . . . . .	1	51	203621	High speed needle stop . . . . .	1
4	303486	Leaf plate to manifold gasket . . . . .	1	52	203652	Carburetor air silencer button plug . . . . .	1
5	303484	Leaf plate to crankcase gasket . . . . .	1	53	203728	Air silencer, lower half . . . . .	1
6	85X64	Leaf to leaf plate screw nut . . . . .	2	54	71X1589	Float chamber to carb. body screw . . . . .	5
7	71X1487	Leaf to leaf plate screw lock-washer . . . . .	2	55	302994	Float chamber to carb. body gasket . . . . .	1
8	301858	Leaf attaching screw . . . . .	2	56	300179	High speed valve nut . . . . .	1
9	302047	Leaf stop . . . . .	2	57	304577	High speed needle valve . . . . .	1
10	301965	Carburetor leaf . . . . .	2	58	43A123	High and low speed valve packing . . . . .	4
11	19X191	Check valve to leaf plate screw . . . . .	2	59	375992	Yoke and screw assembly . . . . .	1
12	302048	Check valve spring . . . . .	1	60	375989	Thumb nut and swivel cup assy . . . . .	1
13	302046	Check valve spring spacer . . . . .	2	61	303121	Filter bowl . . . . .	1
14	302042	Air line check valve . . . . .	1	*	132509	Filter element screw, to motors 10012-03365, 10013-04000 . . . . .	1
15	303483	Leaf plate only . . . . .	1	*	303134	Filter retainer, to motors 10012-03365, 10013-04000 . . . . .	1
16	302647	Carburetor and manifold fuel and air hose clamp . . . . .	2	62	304539	Filter nut, motors 10012-03366 & up, 10013-04001 & up . . . . .	1
17	301822	Fuel connector-fuel and air hose clamp . . . . .	2	63	303133	Filter element . . . . .	1
18	203287	Manifold to fuel connector air line . . . . .	1	64	303122	Filter bowl gasket . . . . .	1
19	203286	Carburetor to fuel connector fuel line . . . . .	1	65	304518	Filter stud, motors 10012-03366 & up, 10013-04001 & up . . . . .	1
20	375788	Fuel connector body . . . . .	1	66	303041	Float drain screw . . . . .	1
21	304572	Throttle shaft arm and cam follower arm screw . . . . .	2	67	376681	Float chamber and nipple assembly . . . . .	1
22	41A110	Link to throttle lever and cam follower retaining pin . . . . .	2	68	300096	Float arm hinge pin . . . . .	1
23	303539	Throttle lever to cam follower link . . . . .	1	69	375919	Float and float arm . . . . .	1
24	376728	Cam follower arm and screw assy . . . . .	1	70	375985	Float valve and seat . . . . .	1
25	376724	Throttle shaft arm and screw assy . . . . .	1	71	301996	Float valve seat washer . . . . .	1
26	303048	Cam follower washer . . . . .	1	72	302984	Float chamber to carburetor body boss gasket . . . . .	1
27	41X163	Cam follower to manifold cotter pin . . . . .	1	73	303618	High speed nozzle . . . . .	1
28	203363	Cam follower retainer . . . . .	1	74	303479	Slow speed valve nut . . . . .	1
29	203362	Cam follower roller . . . . .	1	75	203355	Carburetor packing nut washer . . . . .	1
30	303279	Cam follower bushing . . . . .	2	76	303946	Slow speed needle valve . . . . .	1
31	303541	Throttle cam follower . . . . .	1	77	303947	Slow speed needle valve bushing . . . . .	1
32	7X46	Carburetor nut . . . . .	2	78	303049	Throttle shaft cotter pin . . . . .	1
33	303531	Manifold to carburetor gasket . . . . .	1	79	303048	Throttle shaft washer . . . . .	1
34	302747	Bell crank choke lever spring . . . . .	1	80	303760	Throttle and choke valve screw . . . . .	4
35	41X163	Bell crank cotter pin . . . . .	1	81	303495	Throttle valve . . . . .	1
36	85X54	Bell crank washer . . . . .	1	82	303765	Throttle shaft spring . . . . .	1
37	303144	Choke bell crank . . . . .	1	83	376153	Throttle shaft and lever assembly . . . . .	1
38	131249	Choke rod bracket screw . . . . .	1	84	303126	Choke valve . . . . .	1
39	303117	Choke rod bracket . . . . .	1	85	375993	Choke shaft and lever assembly . . . . .	1
40	302430	Spring to carburetor body screw . . . . .	1	86	304201	Carburetor lead shot . . . . .	5
41	303132	Choke control rod spring . . . . .	1	87	376253	Carburetor body and bell crankshaft assembly . . . . .	1
42	303143	Choke control rod . . . . .	1	88	302822	Manifold to carburetor stud . . . . .	2
43	21X167	Silencer to bracket screw . . . . .	2	89	376114	Carburetor manifold and nipple assembly . . . . .	1
44	13X585	Silencer to bracket screw washer . . . . .	2	90	51X137	Fuel connector to bracket screw lockwasher . . . . .	1
45	13X558	Silencer to carburetor screw . . . . .	2				
46	25X74	Silencer assembly screw . . . . .	4				

\*Not Shown

# SPORTWIN EXHAUST TUBE AND SWIVEL BRACKET



ORDER YOUR PARTS FROM YOUR DISTRICT SERVICE STATION



## SPORTWIN EXHAUST TUBE AND SWIVEL BRACKET

REF. NO.	PART NO.	NAME OF PART	QTY.	REF. NO.	PART NO.	NAME OF PART	QTY.
1	7X46	Flange to power head nut . . . . .	3	55	303890	Thrust absorber to lower mount nut	2
2	25X238	Power head to exh. housing screw	5	56	303896	Lower mount housing - Port . . .	1
3	303892	Exhaust tube gasket . . . . .	1	57	303897	Lower mount housing - Starboard	1
4	302509	Exhaust housing cover plate screw	2	58	303878	Exh. tube rubber mount, upper front	1
5	303862	Exhaust housing cover plate . . .	1	58	304153	Exh. tube rubber mount, upper	
6	304023	Exhaust housing cover plate gasket	1			front - 5 in. longer . . . . .	1
7	302871	Exh. hsg. to gear case screw, rear	1	59	21X171	Steering brkt. to pilot shaft screw .	4
8	302710	Twist grip screw . . . . .	1	60	376583	Steering bracket and bushing . . .	1
9	301656	Twist grip spring . . . . .	1	61	132679	Co-pilot screw . . . . .	1
10	303282	Grip friction block . . . . .	1	62	551113	Co-pilot spring . . . . .	1
11	203882	Steering handle grip . . . . .	1	63	303853	Steering bracket pilot shaft . . . .	1
12	303110	Throttle control plate . . . . .	1	64	303865	Swivel bracket to lower housing	
13	133452	Steering handle halves screw . . .	2			thrust washer . . . . .	1
14	303078	Steering handle halves screw . . .	1	65	303842	Steering bracket to swivel	
15	303093	Steering handle-inner half . . . . .	1			bracket thrust washer . . . . .	1
16	300346	Gear and shaft assy groove pin . .	1	66	303841	Swivel brkt. shock absorber, lower	1
17	303252	Steering handle to spring washer .	1	67	303696	Swivel bracket to upper liner pin .	1
18	302717	Steering handle bushing . . . . .	1	68	303846	Swivel bracket liner, upper . . . .	1
19	302712	Steering handle washer . . . . .	1	69	303843	Co-pilot plate to upper liner spacer	1
20	376416	Throttle control gear and shaft		70	303844	Co-pilot plate . . . . .	1
		assy, long, to motors 08000 . .	1	71	17X182	Tilting shaft bolt nut . . . . .	1
20	376691	Throttle control gear and shaft		72	25X196	Tilting shaft washer . . . . .	1
		assy, long, motors 08001 and up	1	73	302051	Tilting shaft spring . . . . .	1
21	303094	Steering handle-outer half . . . . .	1	74	301984	Tilting shaft bolt . . . . .	1
22	303096	Steering handle gears cover . . . .	1	75	202021	Tilting lever spring . . . . .	1
23	303079	Steering bracket to handle washer	2	76	304095	Tilting lever adj. stabilizer spring	1
24	71X1352	Pinion screw . . . . .	1	77	303396	Stern brkt. screw - Port to Stbd. .	2
25	376306	Throttle control gear and shaft		78	376312	Tilting lever assembly . . . . .	1
		assy, short, to motors 08000 . .	1	79	376284	Stern bracket and clamp screw	
25	376692	Throttle control gear and shaft		80	376283	assembly - Port . . . . .	1
		assy, short, motors 08001 and up	1			Stern bracket and clamp screw	
26	303142	Throttle control pinion . . . . .	1	81	375742	assembly - Starboard . . . . .	1
27	303107	Throttle control pinion gear washer	1	81	375742	Clamp screw, swivel plate and ret.	2
28	304157	Throttle control gear . . . . .	1	82	302420	Swivel plate retainer . . . . .	2
29	303854	Throttle control bushing . . . . .	1	83	41A48	Clamp screw swivel plate . . . . .	2
30	303722	Shift rod screw . . . . .	1	84	301983	Tilting shaft conical washer . . . .	2
31	303721	Shift rod lever clip . . . . .	1	85	303049	Pivot shaft cotter pin . . . . .	1
32	303189	Shift handle adj. screw nut . . . .	1	86	303930	Reverse locking lever pivot shaft .	1
33	300258	Shift handle adj. screw . . . . .	1	87	303980	Manual locking lever arm . . . . .	1
34	303480	Shift handle screw lockwasher . .	1	88	303978	Reverse lock arm to shaft link . .	1
*†	277577	Gear shift handle and shaft assy .	1	89	15X268	Reverse lock rod cotter pin . . . .	1
†35	39X72	Shift hdl. to adj. lever clamp screw	1	90	303949	Reverse lock rod . . . . .	1
**35	39X176	Shift hdl. to adj. lever clamp screw	1	91	303979	Reverse lock locking lever spring	1
**36	552497	Gear shift handle straight pin . . .	1	92	303948	Reverse locking lever . . . . .	1
**37	552783	Shift handle pivot pin washer . . .	1	93	303950	Reverse lock link . . . . .	1
**38	552498	Gear shift handle spring . . . . .	1	94	303840	Swivel bracket . . . . .	1
**39	277626	Gear shift handle and pin . . . . .	1	95	303888	Lower housing front mount to	
**40	591613	Shift lock and pin assy follower, to		96	303886	exhaust tube screw . . . . .	2
		motors 10012- . . . . .	1	97	303881	Shock absorber screw washer, med.	2
**40	277627	Shift lock and pin assy follower,		98	303890	Exh. tube rubber mount, lower front	1
		motors 10012- and up . . . . .	1	99	303880	Lower side mount screw nut . . .	2
**41	591612	Adjusting lever and shaft assy . .	1	100	39X176	Exh. tube rubber mount, lower side	2
**42	552644	Adjusting lever shaft spacer . . . .	1	101	303887	Thrust abs. mtg. screw, upper . .	4
43	303775	Adj. lever to exh. hsg. washer . .	1	102	303887	Shock abs. screw washer, small .	4
44	303191	Shift lever shaft "O" ring . . . . .	1	103	303879	Exh. tube rubber mount, upper side	2
45	15X268	Shift lever shaft cotter pin . . . .	1	104	25X74	Loading tube to exh. tube screw .	2
46	304377	Shift rod to lever pin . . . . .	1	105	376289	Exhaust loading tube assembly . .	1
47	304380	Shift rod pin bow washer . . . . .	1	106	304169	Lower front mount gasket . . . . .	1
48	304378	Shift rod lever . . . . .	1	106	303917	Water tube . . . . .	1
49	303861	Shift rod, upper . . . . .	1	106	304037	Water tube, 5 in. longer . . . . .	1
50	303889	Thrust absorber to strg. brkt. nut .	4	107	302497	Water tube grommet, upper . . . .	1
51	303884	Shock absorber washer, large . . .	4	108	304517	Flange to power head stud . . . .	3
52	303898	Lower housing to pilot shaft screw	2	109	376406	Exhaust housing assembly . . . . .	1
53	303883	Rubber mount to housing screw . .	2	110	304168	Lower side mount gasket . . . . .	4
54	303886	Shock absorber screw washer, med	2				

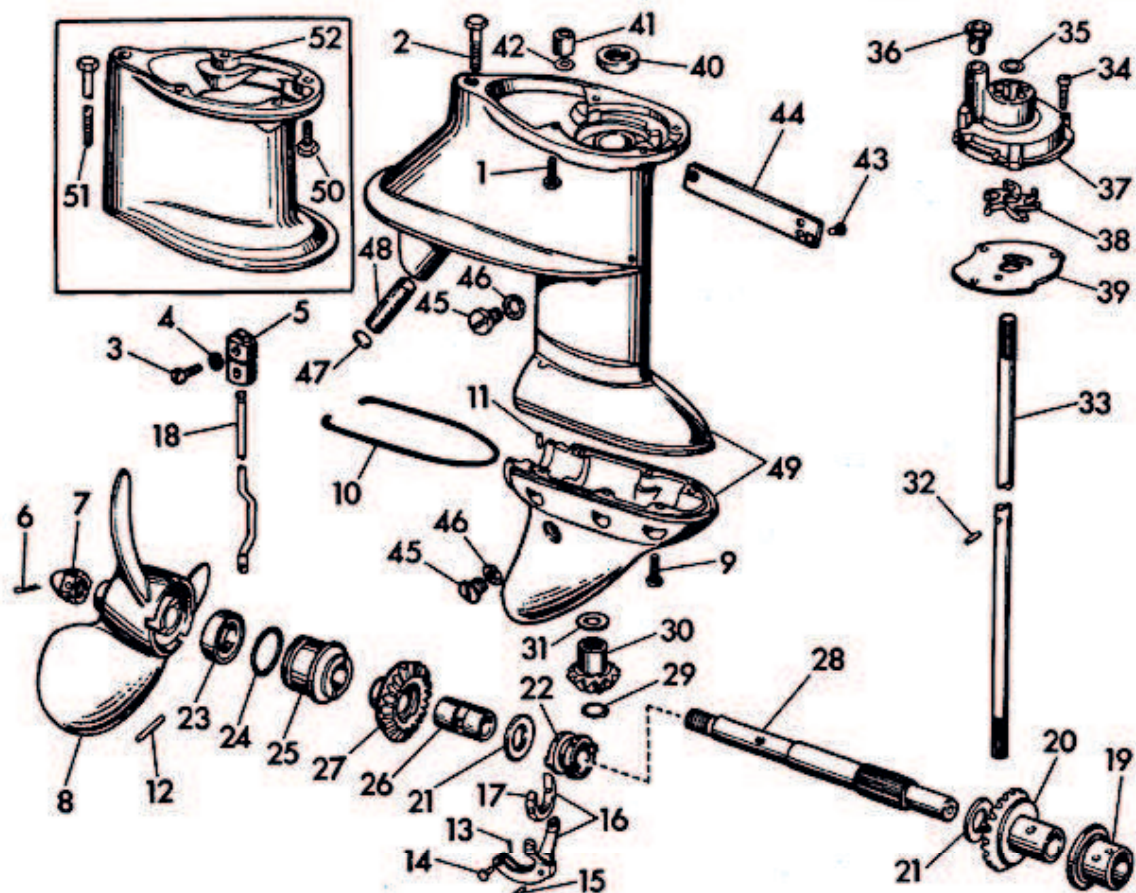
†These parts apply up to motors 10012-02572 and 10013-04000.

\*\*These parts apply from motors 10012-02573 and up, and motors 10013-04001 and up.

\*Not Shown

ORDER YOUR PARTS FROM YOUR DISTRICT SERVICE STATION

# SPORTWIN GEAR CASE

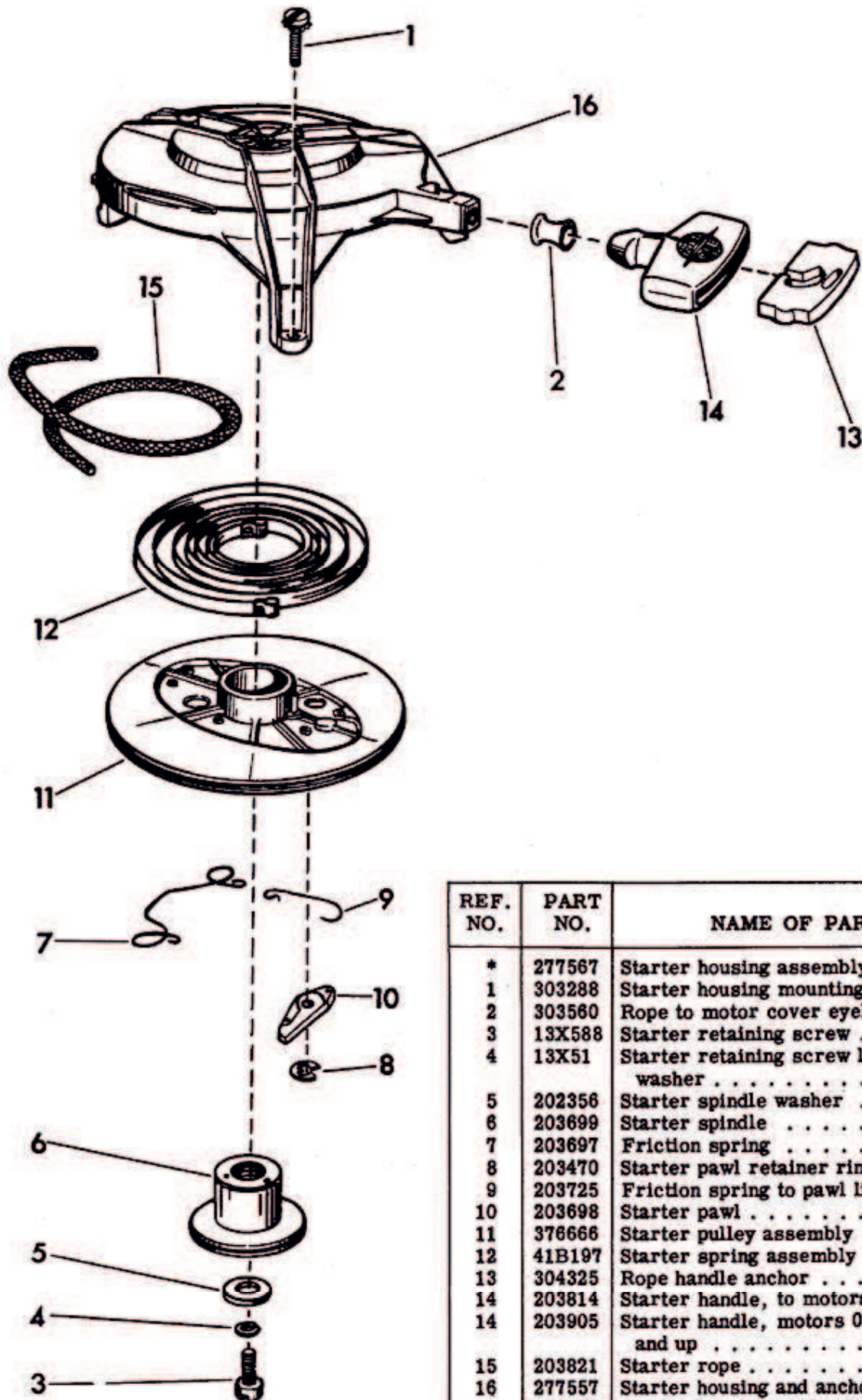


REF. NO.	PART NO.	NAME OF PART	QTY.	REF. NO.	PART NO.	NAME OF PART	QTY.
*	376483	Gear case assembly - complete, to motors 13000 . . . . .	1	26	303997	Rear reverse gear bushing . . . . .	1
*	376772	Gear case assembly - complete, motors 13001 & up . . . . .	1	27	304570	Rear reverse gear, motors 04719 & up . . . . .	1
1	302510	Upper gear hsg. to exh. hsg. screw	4	28	304265	Propeller shaft . . . . .	1
2	302871	Exh. hsg. to gear case screw, rear	1	29	301883	Pinion retaining ring . . . . .	1
*	376407	Shift rod connector and screw assy.	1	30	304569	Drive shaft pinion, motors 04719 & up . . . . .	1
3	304024	Shift rod connector screw . . . . .	2	31	303996	Pinion thrust washer . . . . .	1
4	301551	Shift rod conn. screw lockwasher.	2	32	300771	Pump impeller pin. . . . .	1
5	303794	Upper & lower shift rod connector .	1	33	303860	Drive shaft. . . . .	1
6	19X84	Propeller nut cotter pin . . . . .	1	33	304036	Drive shaft, 5 in. longer . . . . .	1
7	376501	Propeller nut . . . . .	1	34	302508	Impeller hsg. to upper gear hsg. screw	3
8	277585	Propeller and drive pin assy . . . .	1	35	303067	Drive shaft to crankshaft "O" ring	1
9	304070	Gear housing screw . . . . .	6	36	302497	Water tube grommet, lower. . . . .	1
10	302513	Upper to lower gear case seal . . . .	1	37	303070	Impeller housing . . . . .	1
11	300611	Front and rear bearing dowel. . . .	2	38	375638	Water pump impeller . . . . .	1
12	301923	Propeller shear pin to motors 13000	1	39	303069	Impeller housing plate. . . . .	1
12	203663	Propeller drive pin - motors 13001 & up . . . . .	1	40	41A62	Drive shaft seal . . . . .	1
13	15X268	Yoke to pin cotter pin . . . . .	1	41	301878	Shift rod bushing, lower . . . . .	1
14	302504	Yoke to shift rod pin. . . . .	1	42	301877	Lower shift rod seal "O" ring. . . .	1
15	302501	Shifter lever pivot pin. . . . .	1	43	302509	Water by-pass cover screw. . . . .	2
16	376164	Shifter lever and cradle assembly	1	44	302505	Water by-pass cover . . . . .	1
17	302500	Cradle . . . . .	1	45	27A283	Oil plug . . . . .	2
18	303098	Shift rod, lower . . . . .	1	46	27X284	Oil plug washer . . . . .	2
18	303257	Shift rod, lower, 5 in. longer . . . .	1	47	300314	Water intake screen plug . . . . .	1
19	302496	Front bearing . . . . .	1	48	302757	Water intake screen. . . . .	1
*	376720	Set of gears, to motors 04718 . . . .	1	49	376482	Gear housing, upper and lower, to motors 13000 . . . . .	1
20	376715	Front gear and bushing, motors 04719 & up . . . . .	1	49	376771	Gear housing, upper and lower, motors 13001 & up . . . . .	1
21	301884	Propeller shaft thrust washer. . . .	2	50	302510	Gear housing to gear case extension screw, 5 in. longer. . . . .	4
22	375711	Clutch dog shifter assembly. . . . .	1	51	304135	Exhaust housing to gear case extension screw, rear, 5 in. longer	1
23	302495	Propeller shaft seal. . . . .	1	52	304136	Gear case extension, 5 in. longer	1
24	302493	Gear case head "O" ring . . . . .	1				
25	375751	Gear housing head and brg. assy . . . .	1				

\*Not Shown

ORDER YOUR PARTS FROM YOUR DISTRICT SERVICE STATION

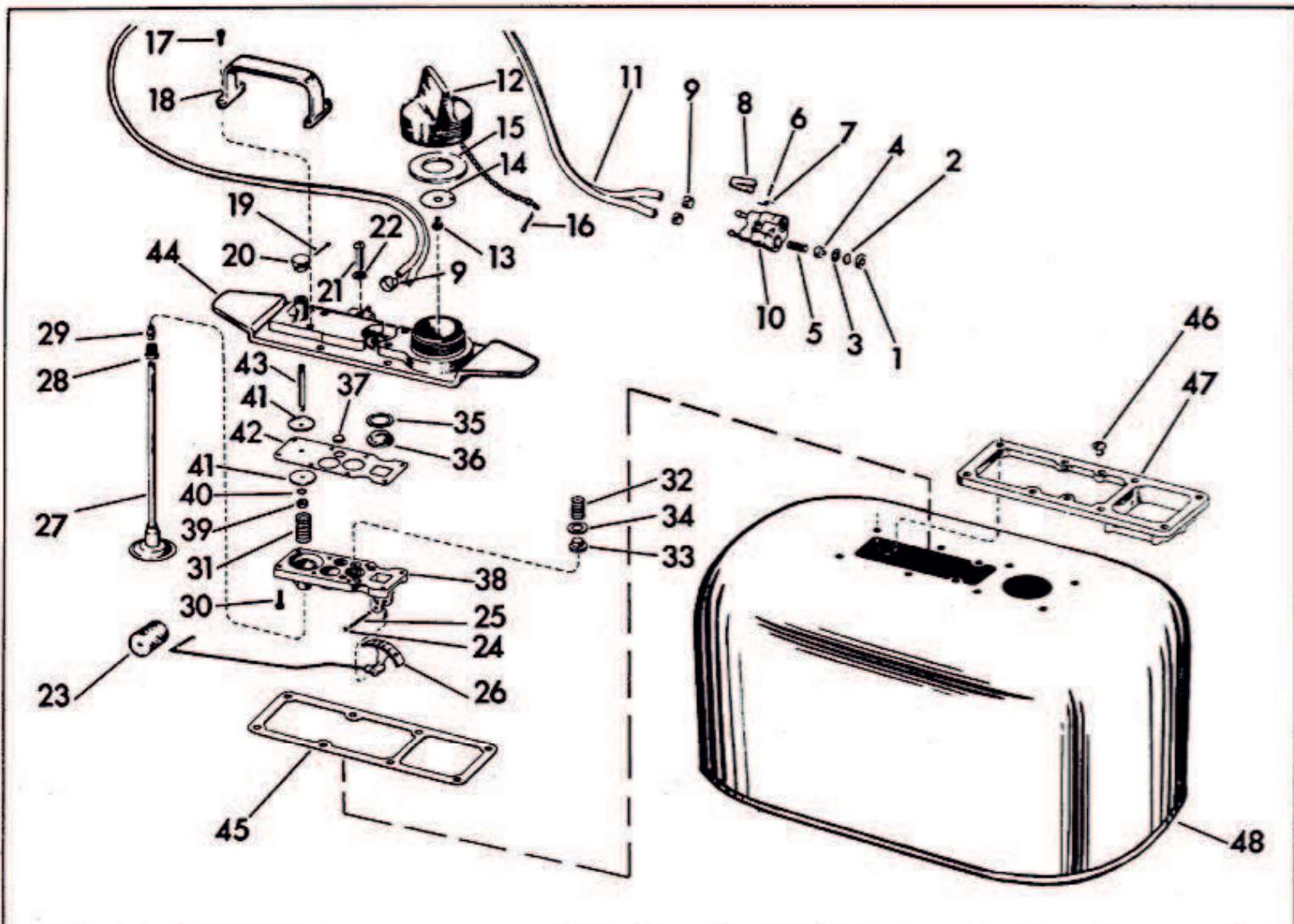
# FASTWIN STARTER



REF. NO.	PART NO.	NAME OF PART	QTY.
*	277567	Starter housing assembly . . . . .	1
1	303288	Starter housing mounting screw . . . . .	3
2	303560	Rope to motor cover eyelet . . . . .	1
3	13X588	Starter retaining screw . . . . .	1
4	13X51	Starter retaining screw lock washer . . . . .	1
5	202356	Starter spindle washer . . . . .	1
6	203699	Starter spindle . . . . .	1
7	203697	Friction spring . . . . .	1
8	203470	Starter pawl retainer ring . . . . .	1
9	203725	Friction spring to pawl link . . . . .	2
10	203698	Starter pawl . . . . .	1
11	376666	Starter pulley assembly . . . . .	1
12	41B197	Starter spring assembly . . . . .	1
13	304325	Rope handle anchor . . . . .	1
14	203814	Starter handle, to motors 09000 . . . . .	1
14	203905	Starter handle, motors 09001 and up . . . . .	1
15	203821	Starter rope . . . . .	1
16	277557	Starter housing and anchor . . . . .	1
*	304500	Starter housing guide pin, motors 09001 and up . . . . .	2

\*Not Shown

ORDER YOUR PARTS FROM YOUR DISTRICT SERVICE STATION



REF. NO.	PART NO.	NAME OF PART	QTY.	REF. NO.	PART NO.	NAME OF PART	QTY.
*	277237	Fuel tank assembly . . . . .	1	22	301814	Support plate to housing screw gasket	8
1	301828	Fuel connector seal ring retainer.	2	23	302559	Fuel tank float . . . . .	1
2	301824	Fuel connector seal "O" ring . . . .	2	24	302654	Indicator pin snap ring . . . . .	2
3	301827	Fuel connector valve guide washer . . . . .	2	25	302653	Indicator to lower housing pin . . .	1
4	301826	Fuel connector valve . . . . .	2	26	375778	Indicator assembly . . . . .	1
5	301825	Fuel connector valve spring . . . . .	2	27	375846	Fuel tank foot valve assembly. . .	1
6	301832	Fuel connector lock rivet . . . . .	1	28	132691	Fuel line nut . . . . .	1
7	301829	Fuel connector lock spring . . . . .	1	29	13X304	Fuel line gland . . . . .	1
8	301830	Fuel connector lock . . . . .	1	30	13X558	Lower to upper housing screw . . .	8
9	301822	Hose clamp . . . . .	4	31	301803	Fuel pump spring . . . . .	1
10	375587	Fuel connector housing assembly . . .	1	32	302135	Pressure release valve spring . . .	1
11	301821	Fuel tank to connector hose standard length . . . . .	1	33	302136	Pressure release valve . . . . .	1
11	302379	Fuel tank to connector hose, (specify length) . . . . .	1	34	302137	Pressure release valve washer . . .	1
12	375817	Filler cap assembly . . . . .	1	35	302571	Fuel tank seal . . . . .	1
13	301837	Filler cap screw . . . . .	1	36	302568	Fuel tank glass . . . . .	1
14	302560	Filler cap plate . . . . .	1	37	301802	Disc valve . . . . .	1
15	301835	Filler cap gasket . . . . .	1	38	302555	Fuel tank lower housing . . . . .	1
16	15X213	Filler cap chain cotter pin . . . . .	1	39	21X195	Push rod nut . . . . .	1
17	13X558	Handle to housing screw, upper. . . .	4	40	301736	Push rod lock washer . . . . .	1
18	302570	Fuel tank handle . . . . .	1	41	301800	Fuel pump diaphragm support . . .	2
19	17X186	Push button cotter pin . . . . .	1	42	302563	Fuel pump diaphragm . . . . .	1
20	301815	Fuel pump push button . . . . .	1	43	302561	Fuel pump push rod . . . . .	1
21	304137	Support plate to housing screw, long . . . . .	8	44	376276	Fuel tank housing, upper . . . . .	1
				45	302557	Fuel tank gasket . . . . .	1
				46	53X85	Support plate to plate screw . . . .	2
				47	302556	Fuel tank support plate . . . . .	1
				48	277238	Fuel tank only . . . . .	1

ORDER YOUR PARTS FROM YOUR DISTRICT SERVICE STATION.

\* Not shown

**EVINRUDE MOTORS • MILWAUKEE 16, WISCONSIN**  
 IN CANADA: EVINRUDE MOTORS, PETERBOROUGH, ONTARIO